

# Operating Instructions

Submersible pressure transmitter with  
ceramic measuring cell

## VEGAWELL 52

Two-wire: 4 ... 20 mA



Document ID: 35401



**VEGA**

# Contents

<b>1</b>	<b>About this document</b> .....	<b>3</b>
1.1	Function .....	3
1.2	Target group .....	3
1.3	Symbols used.....	3
<b>2</b>	<b>For your safety</b> .....	<b>4</b>
2.1	Authorised personnel .....	4
2.2	Intended use .....	4
2.3	Warning about incorrect use.....	4
2.4	General safety instructions .....	4
2.5	Conformity.....	4
2.6	NAMUR recommendations .....	5
2.7	Installation and operation in the USA and Canada .....	5
2.8	Environmental instructions .....	5
<b>3</b>	<b>Product description</b> .....	<b>6</b>
3.1	Configuration.....	6
3.2	Principle of operation.....	7
3.3	Adjustment .....	7
3.4	Packaging, transport and storage.....	7
3.5	Accessories.....	8
<b>4</b>	<b>Mounting</b> .....	<b>9</b>
4.1	General instructions .....	9
4.2	Mounting steps with straining clamp.....	10
4.3	Mounting steps with screw connection for suspension cable .....	11
4.4	Mounting steps with threaded connection or housing .....	12
<b>5</b>	<b>Connecting to power supply</b> .....	<b>13</b>
5.1	Preparing the connection .....	13
5.2	Connection procedure.....	15
5.3	Wiring plan .....	15
5.4	Switch-on phase.....	16
<b>6</b>	<b>Maintenance and fault rectification</b> .....	<b>18</b>
6.1	Maintenance .....	18
6.2	Rectify faults.....	18
6.3	Shorten suspension cable.....	19
6.4	Shorten suspension cable - Version with housing .....	19
6.5	How to proceed if a repair is necessary.....	21
<b>7</b>	<b>Dismount</b> .....	<b>22</b>
7.1	Dismounting steps.....	22
7.2	Disposal .....	22
<b>8</b>	<b>Supplement</b> .....	<b>23</b>
8.1	Technical data .....	23
8.2	Dimensions .....	30
8.3	Industrial property rights.....	34

# 1 About this document

## 1.1 Function

This instruction provides all the information you need for mounting, connection and setup as well as important instructions for maintenance, fault rectification, safety and the exchange of parts. Please read this information before putting the instrument into operation and keep this manual accessible in the immediate vicinity of the device.

## 1.2 Target group

This instruction manual is directed to trained personnel. The contents of this manual must be made available to the qualified personnel and implemented.

## 1.3 Symbols used



### Document ID

This symbol on the front page of this instruction refers to the Document ID. By entering the Document ID on [www.vega.com](http://www.vega.com) you will reach the document download.



**Information, note, tip:** This symbol indicates helpful additional information and tips for successful work.



**Note:** This symbol indicates notes to prevent failures, malfunctions, damage to devices or plants.



**Caution:** Non-observance of the information marked with this symbol may result in personal injury.



**Warning:** Non-observance of the information marked with this symbol may result in serious or fatal personal injury.



**Danger:** Non-observance of the information marked with this symbol results in serious or fatal personal injury.



### Ex applications

This symbol indicates special instructions for Ex applications.



### List

The dot set in front indicates a list with no implied sequence.



### Sequence of actions

Numbers set in front indicate successive steps in a procedure.



### Disposal

This symbol indicates special instructions for disposal.

## 2 For your safety

### 2.1 Authorised personnel

All operations described in this documentation must be carried out only by trained and authorized personnel.

During work on and with the device, the required personal protective equipment must always be worn.

### 2.2 Intended use

Model VEGAWELL 52 is a pressure transmitter for level and gauge measurement.

You can find detailed information about the area of application in chapter "*Product description*".

Operational reliability is ensured only if the instrument is properly used according to the specifications in the operating instructions manual as well as possible supplementary instructions.

### 2.3 Warning about incorrect use

Inappropriate or incorrect use of this product can give rise to application-specific hazards, e.g. vessel overfill through incorrect mounting or adjustment. Damage to property and persons or environmental contamination can result. Also, the protective characteristics of the instrument can be impaired.

### 2.4 General safety instructions

This is a state-of-the-art instrument complying with all prevailing regulations and directives. The instrument must only be operated in a technically flawless and reliable condition. The operating company is responsible for the trouble-free operation of the instrument. When measuring aggressive or corrosive media that can cause a dangerous situation if the instrument malfunctions, the operating company has to implement suitable measures to make sure the instrument is functioning properly.

The safety instructions in this operating instructions manual, the national installation standards as well as the valid safety regulations and accident prevention rules must be observed.

For safety and warranty reasons, any invasive work on the device beyond that described in the operating instructions manual may be carried out only by personnel authorised by us. Arbitrary conversions or modifications are explicitly forbidden. For safety reasons, only the accessory specified by us must be used.

To avoid any danger, the safety approval markings and safety tips on the device must also be observed.

### 2.5 Conformity

The device complies with the legal requirements of the applicable country-specific directives or technical regulations. We confirm conformity with the corresponding labelling.

The corresponding conformity declarations can be found on our homepage.

## 2.6 NAMUR recommendations

NAMUR is the automation technology user association in the process industry in Germany. The published NAMUR recommendations are accepted as the standard in field instrumentation.

The device fulfils the requirements of the following NAMUR recommendations:

- NE 21 – Electromagnetic compatibility of equipment
- NE 43 – Signal level for fault information from measuring transducers

For further information see [www.namur.de](http://www.namur.de).

## 2.7 Installation and operation in the USA and Canada

This information is only valid for USA and Canada. Hence the following text is only available in the English language.

Installations in the US shall comply with the relevant requirements of the National Electrical Code (NEC - NFPA 70) (USA).

Installations in Canada shall comply with the relevant requirements of the Canadian Electrical Code (CEC Part I) (Canada).

## 2.8 Environmental instructions

Protection of the environment is one of our most important duties. That is why we have introduced an environment management system with the goal of continuously improving company environmental protection. The environment management system is certified according to DIN EN ISO 14001.

Please help us fulfil this obligation by observing the environmental instructions in this manual:

- Chapter "*Packaging, transport and storage*"
- Chapter "*Disposal*"

## 3 Product description

### 3.1 Configuration

#### Scope of delivery

The scope of delivery encompasses:

- VEGAWELL 52 pressure transmitter with suspension cable
- Optionally, straining clamp, suspension cable or housing with thread
- Documentation
  - This operating instructions manual
  - Test certificate
  - Supplementary instructions "*Suitable for drinking water*" (optional)
  - Ex-specific "*Safety instructions*" (with Ex versions)
  - If necessary, further certificates

#### Constituent parts

VEGAWELL 52 with suspension cable consists of the following components:

- Transmitter
- Suspension cable
- Optional fastening element or housing with thread

The components are available in different versions.

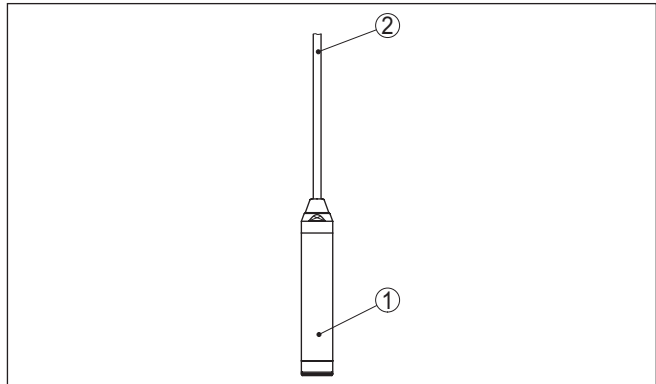


Fig. 1: Example of a VEGAWELL 52

- 1 Transmitter
- 2 Suspension cable

#### Type label

The type label contains the most important data for identification and use of the instrument:

- Instrument type
- Information about approvals
- Configuration information
- Technical data
- Serial number of the instrument
- QR code for device identification
- Manufacturer information

**Documents and software** To find order data, documents or software related to your device, you have the following options:

- Move to "[www.vega.com](http://www.vega.com)" and enter in the search field the serial number of your instrument.
- Scan the QR code on the type label.
- Open the VEGA Tools app and enter the serial number under "**Documentation**".

### 3.2 Principle of operation

**Application area** VEGAWELL 52 is suitable for continuous level measurement of liquids. Typical applications are measurements in water/waste water facilities, deep wells and in the shipbuilding industry.

**Functional principle** The actual sensor element is the CERTEC® measuring cell with rugged ceramic diaphragm. The hydrostatic pressure causes a capacitance change in the measuring cell via the ceramic diaphragm. This change is converted into an appropriate output signal.

**Seal concept** As a standard feature, the CERTEC® measuring cell is equipped with a lateral, recessed seal.

Instruments with double seal have an additional front seal.

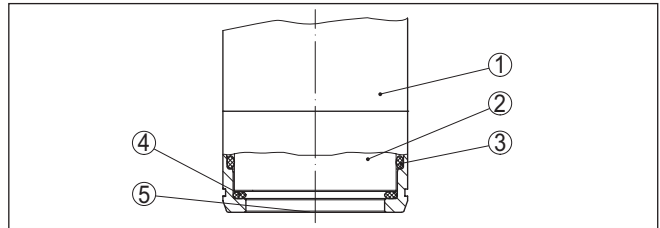


Fig. 2: Front-flush installation of the CERTEC® measuring cell with double seal

- 1 Housing, sensor
- 2 Measuring cell
- 3 Lateral seal for measuring cell
- 4 Additional, front seal for measuring cell
- 5 Diaphragm

### 3.3 Adjustment

VEGAWELL 52 with 4 ... 20 mA electronics has no adjustment options.

### 3.4 Packaging, transport and storage

**Packaging** Your instrument was protected by packaging during transport. Its capacity to handle normal loads during transport is assured by a test based on ISO 4180.

The packaging consists of environment-friendly, recyclable cardboard. For special versions, PE foam or PE foil is also used. Dispose of the packaging material via specialised recycling companies.

<b>Transport</b>	Transport must be carried out in due consideration of the notes on the transport packaging. Nonobservance of these instructions can cause damage to the device.
<b>Transport inspection</b>	The delivery must be checked for completeness and possible transit damage immediately at receipt. Ascertained transit damage or concealed defects must be appropriately dealt with.
<b>Storage</b>	<p>Up to the time of installation, the packages must be left closed and stored according to the orientation and storage markings on the outside.</p> <p>Unless otherwise indicated, the packages must be stored only under the following conditions:</p> <ul style="list-style-type: none"> <li>● Not in the open</li> <li>● Dry and dust free</li> <li>● Not exposed to corrosive media</li> <li>● Protected against solar radiation</li> <li>● Avoiding mechanical shock and vibration</li> </ul>
<b>Storage and transport temperature</b>	<ul style="list-style-type: none"> <li>● Storage and transport temperature see chapter "<i>Technical data - Ambient conditions</i>"</li> <li>● Relative moisture 20 ... 85 %</li> </ul>
<b>Lifting and carrying</b>	With instrument weights of more than 18 kg (39.68 lbs) suitable and approved equipment must be used for lifting and carrying.
<b>3.5 Accessories</b>	
<b>VEGABOX 03</b>	The VEGABOX 03 is a breather housing for VEGAWELL 52. The housing contains a filter element for ventilation.
<b>VEGADIS 82</b>	The VEGADIS 82 is suitable for measured value indication of 4 ... 20 mA and 4 ... 20 mA/HART sensors. It is looped into the signal cable.
<b>Mounting bracket</b>	The robust, heavy-duty bracket of 1.4301/304 is designed for wall mounting VEGA instruments. The required fastening elements are included in the shipment.

## 4 Mounting

### 4.1 General instructions

#### Process conditions



#### Note:

For safety reasons, the instrument must only be operated within the permissible process conditions. You can find detailed information on the process conditions in chapter "Technical data" of the operating instructions or on the type label.

Hence make sure before mounting that all parts of the instrument exposed to the process are suitable for the existing process conditions.

These are mainly:

- Active measuring component
- Process fitting
- Process seal

Process conditions in particular are:

- Process pressure
- Process temperature
- Chemical properties of the medium
- Abrasion and mechanical influences

#### Suitability for the ambient conditions

The instrument is suitable for standard and extended ambient conditions acc. to DIN/EN/IEC/ANSI/ISA/UL/CSA 61010-1. It can be used indoors as well as outdoors.

#### Transport and mounting protection

Depending on the transmitter, the VEGAWELL 52 is supplied with a protective cap or a transport and mounting protection.

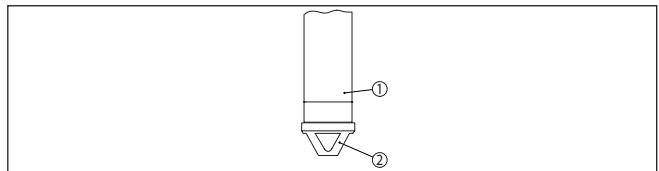


Fig. 3: VEGAWELL 52, transport and mounting protection

1 Transmitter

2 Transport and mounting protection

Remove this protection after mounting and before setting up the instrument.

In case of slightly contaminated measured media, the transport and mounting protection can remain on the instrument as an impact protection during operation.

#### Installation position

Lateral movements of the transmitter can cause measurement errors. For this reason, mount the instrument in a calm area or in a suitable protective tube.

**Pressure compensation**

The suspension cable has a capillary for atmospheric pressure compensation. Therefore lead the cable end into a dry environment or a suitable terminal housing, for example VEGABOX 03 or VEGADIS 82.

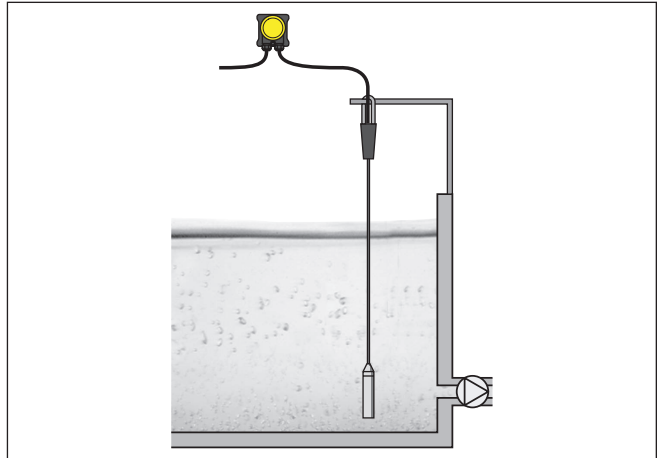
**Mounting example**

Fig. 4: Mounting example: VEGAWELL 52 in an open basin with breather housing VEGABOX 03

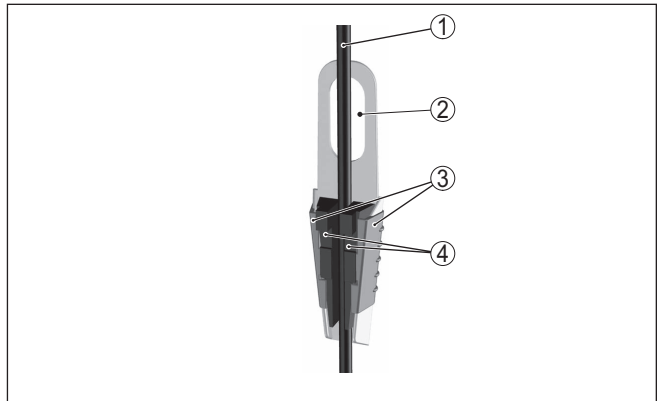
**4.2 Mounting steps with straining clamp**

Fig. 5: Straining clamp

- 1 Suspension cable
- 2 Suspension opening
- 3 Clamping jaws
- 4 Guide brackets

Mount VEGAWELL 52 with straining clamp as follows:

1. Hang the straining clamp on a suitable wall hook
2. Lower VEGAWELL 52 to the requested height

3. Slide the clamping jaws upward and push the suspension cable between them
4. Hold the suspension cable, push the clamping jaws downward and fix them with a light blow

Disassembly is carried out in reverse order.

### 4.3 Mounting steps with screw connection for suspension cable

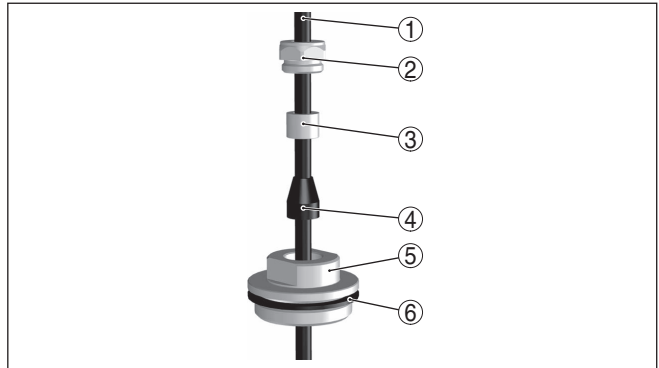


Fig. 6: Configuration, screw connection of suspension cable

- 1 Suspension cable
- 2 Sealing screw
- 3 Cone bushing
- 4 Seal cone
- 5 Screw connection for suspension cable
- 6 Seal

Mount VEGAWELL 52 with screw connection for suspension cable as follows:

1. Weld the welded socket into the vessel top
2. Lower VEGAWELL 52 to the requested height by means on the welded socket G1½ or 1½ NPT on the vessel side
3. Shift the suspension cable from below through the opened threaded fitting
4. Slide the sealing cone and the cone sleeve over the suspension cable, fasten manually with the seal screw
5. Screw the screwed connection into the nozzle, tighten with SW 30 and then tighten seal screw with SW 19

How to correct the height:

1. Loosen seal screw with SW 19
2. Slide seal cone and cone sleeve to the requested position on the cable
3. Fasten the seal screw

Disassembly is carried out in reverse order.

#### 4.4 Mounting steps with threaded connection or housing

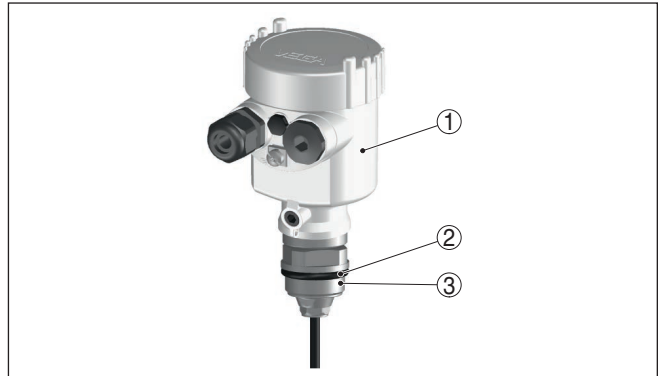


Fig. 7: Plastic housing

- 1 Housing
- 2 Seal
- 3 Thread

##### Mount into the vessel

Mount VEGAWELL 52 as follows:

1. Weld the welded socket G1½ or 1½ NPT to the vessel top
2. Shift transmitter through the mounting boss
3. Turn the thread with seal into the nozzle and tighten with SW 46<sup>1)</sup>

Disassembly is carried out in reverse order.

##### Mounting into the basin

Mount VEGAWELL 52 as follows:

1. Fasten the mounting bracket at the suitable height on the basin wall
2. Lead the transmitter through the opening of the mounting bracket and the counter nut
3. Fasten counter nut with SW 46 on the thread

<sup>1)</sup> Seal with resistant material with thread 1½ NPT.

## 5 Connecting to power supply

### 5.1 Preparing the connection

#### Safety instructions

Generally connect the instrument only in the complete absence of line voltage.

The instrument is equipped with an integrated overvoltage protection. For additional protection of the signal circuit, we recommend further external overvoltage arresters.

- Type B63-48 (use with VEGAWELL 52 with plastic housing) or
- Type ÜSB 62-36G.X (use in a separate housing)

#### Take note of safety instructions for Ex applications



In hazardous areas you must take note of the respective regulations, conformity and type approval certificates of the sensors and power supply units.

#### Select voltage supply

Power supply and current signal are carried on the same two-wire cable. The voltage supply range can differ depending on the instrument version.

The data for power supply are specified in chapter "*Technical data*".



#### Note:

Power the instrument via an energy-limited circuit (max. power 100 W) acc. to IEC 61010-1, e.g.

- Class 2 power supply unit (acc. to UL1310)
- SELV power supply unit (safety extra-low voltage) with suitable internal or external limitation of the output current

Keep in mind the following additional factors that influence the operating voltage:

- Lower output voltage of the power supply unit under nominal load (e.g. with a sensor current of 20.5 mA or 22 mA in case of fault signal)
- Influence of additional instruments in the circuit (see load values in chapter "*Technical data*")

#### Select installation cable

The instrument is connected with standard two-wire installation cable without shielding. If electromagnetic interference is expected which is above the test values of EN 61326 for industrial areas, shielded cable should be used.

Make sure that the cable used has the required temperature resistance and fire safety for max. occurring ambient temperature

Use cable with round cross-section. A cable outer diameter of 5 ... 9 mm (0.2 ... 0.35 in) ensures the seal effect of the cable gland. If you are using cable with a different diameter or cross-section, exchange the seal or use a suitable cable gland.

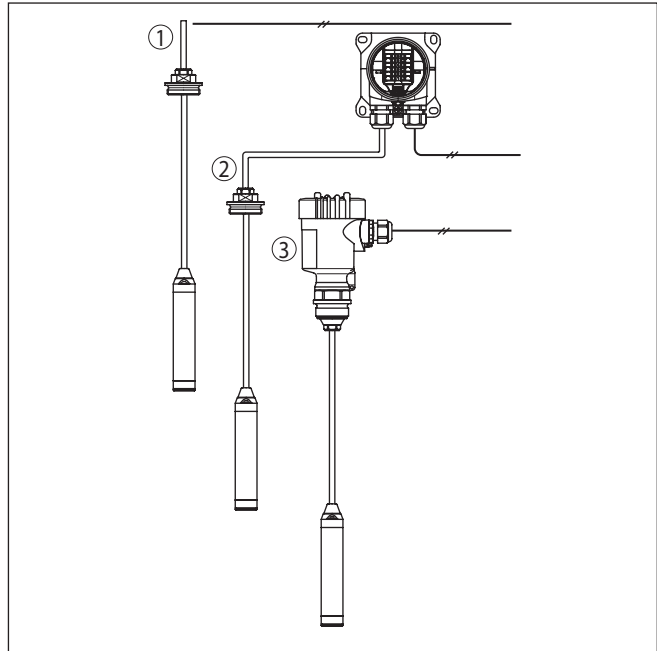


Fig. 8: Connect VEGAWELL 52 to voltage supply

- 1 Direct connection
- 2 Connection via VEGABOX 03
- 3 Connection via housing

### Cable screening and grounding

If shielded cable is required, we recommend connecting the cable screening on both ends to ground potential. In the connection housing of the sensor or in VEGABOX, the shielding must be connected directly to the internal ground terminal. The ground terminal on the outside of the housing must be connected to the ground potential (low impedance).



In Ex systems, the grounding is carried out according to the installation regulations.

In electroplating plants as well as plants for cathodic corrosion protection it must be taken into account that significant potential differences exist. This can lead to unacceptably high currents in the cable screen if it is grounded at both ends.



#### Information:

The metallic parts of the instrument (process fitting, sensor, concentric tube, etc.) are connected with the internal and external ground terminal on the housing. This connection exists either directly via the conductive metallic parts or, in case of instruments with external electronics, via the screen of the special connection cable.

You can find specifications on the potential connections inside the instrument in chapter "Technical data".

## 5.2 Connection procedure

### Direct connection

Proceed as follows:

1. Wire the suspension cable up to the connection compartment<sup>2)</sup>
2. Connect the wire ends to the screw terminals according to the wiring plan

**Connection via VEGABOX** Connect the VEGAWELL 52 according to the description in the operating instructions of the respective VEGABOX.

## 5.3 Wiring plan

### Direct connection

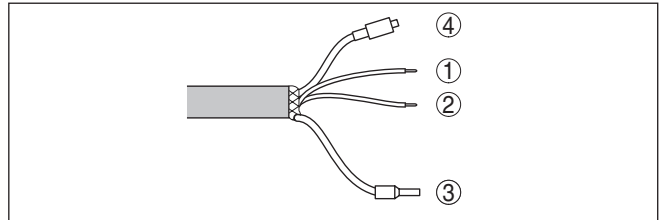


Fig. 9: Wire assignment, suspension cable

- 1 Brown (+): to voltage supply or to the processing system
- 2 Blue (-): to voltage supply or to the processing system
- 3 Shielding
- 4 Breather capillaries with filter element

### Connection via VEGABOX 03

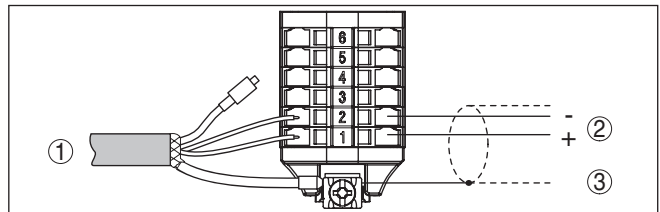


Fig. 10: Wiring plan VEGAWELL 52 4 ... 20 mA, 4 ... 20 mA/HART

- 1 To the sensor
- 2 To voltage supply or processing system
- 3 Shielding<sup>3)</sup>

Wire number	Wire colour/Polarity	Terminal
1	brown (+)	1

- <sup>2)</sup> The suspension cable is already preconnected. After shortening the suspension cable, fasten the type plate with support again to the cable.
- <sup>3)</sup> Connect shielding to ground terminal. Connect ground terminal on the outside of the housing to ground as prescribed. The two terminals are galvanically connected.

Wire number	Wire colour/Polarity	Terminal
2	blue (-)	2
	Shielding	Grounding

### Connection via housing

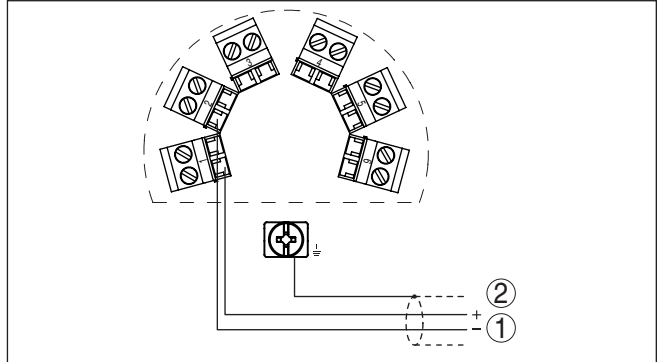


Fig. 11: Wiring plan housing

1 To voltage supply or processing system

### Connection via VEGADIS 82

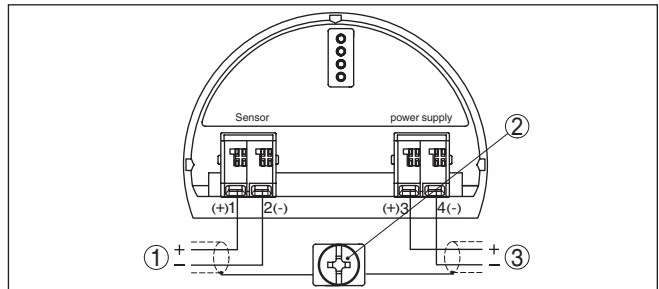


Fig. 12: Wiring plan VEGAWELL 52 for 4 ... 20 mA sensors

1 To the sensor

2 Terminal for connection of the cable screening

3 For power supply

Wire number	Wire colour/Polarity	Terminal VEGADIS 82
1	brown (+)	1
2	blue (-)	2
	Shielding	Ground terminal

## 5.4 Switch-on phase

After connecting VEGAWELL 52 to power supply or after a voltage recurrence, the instrument carries out a self-check:

- Internal check of the electronics
- 4 ... 20 mA output jumps to the fault signal

After the run-up period (specification see "*Technical data*"), the instrument delivers an output signal of 4 ... 20 mA. The value corresponds to the actual level as well as the settings already carried out, e.g. factory setting.

## 6 Maintenance and fault rectification

### 6.1 Maintenance

#### Maintenance

If the device is used properly, no special maintenance is required in normal operation.

In some applications, product buildup on the diaphragm can influence the measuring result. Depending on the sensor and application, take precautions to ensure that heavy buildup, and especially a hardening thereof, is avoided.

#### Cleaning

If necessary, clean the diaphragm. Make sure that the materials are resistant against the cleaning, see resistance list under "Service" on "[www.vega.com](http://www.vega.com)".

### 6.2 Rectify faults

#### Reaction when malfunction occurs

The operator of the system is responsible for taking suitable measures to rectify faults.

#### Causes of malfunction

The device offers maximum reliability. Nevertheless, faults can occur during operation. These may be caused by the following, e.g.:

- Sensor
- Process
- Voltage supply
- Signal processing

#### Fault rectification

The first measure to take is to check the output signal. In many cases, the causes can be determined this way and the faults quickly rectified.

#### 24 hour service hotline

Should these measures not be successful, please call in urgent cases the VEGA service hotline under the phone no. **+49 1805 858550**.

The hotline is manned 7 days a week round-the-clock. Since we offer this service worldwide, the support is only available in the English language. The service is free, only standard call charges are incurred.

#### Check the 4 ... 20 mA signal

Connect a multimeter in the suitable measuring range according to the wiring plan.

Error code	Cause	Rectification
4 ... 20 mA signal not stable	No atmospheric pressure compensation	Check the capillary and cut it clean
		Check the pressure compensation and clean the filter element, if necessary

Error code	Cause	Rectification
4 ... 20 mA signal missing	Wrong connection to voltage supply	Check connection according to chapter "Connection steps" and if necessary, correct according to chapter "Wiring plan"
	No power supply	Check cables for breaks; repair if necessary
	Operating voltage too low, load resistance too high	Check, adapt if necessary



In Ex applications, the regulations for the wiring of intrinsically safe circuits must be observed.

**Reaction after fault rectification**

Depending on the reason for the fault and the measures taken, the steps described in chapter "Setup" must be carried out again or must be checked for plausibility and completeness.

**6.3 Shorten suspension cable**

Shorten the suspension cable individually. Proceed as follows:

1. Remove the filter adapter from the capillary line
2. Cut the suspension cable to the requested length with side cutters



**Caution:**

Do not squeeze the capillary cable, as this will impair the pressure compensation. If necessary, rework the capillary with a sharp knife.

3. Remove approx. 10 cm of the cable mantle, strip off approx. 1 cm of insulation from the ends of the wires
4. Insert the filter adapter

The work steps are finished.

**6.4 Shorten suspension cable - Version with housing**

The suspension cable can be shortened individually. For the version with plastic or stainless steel housing proceed as follows:

1. Unscrew the housing lid
2. Loosen the screw terminals and remove the wire ends of the suspension cable out of the screw terminals
3. Hold the hexagon on the screwed socket with SW 46 and loosen with seal screw SW 22



**Caution:**

Seal screw is secured with Loctide pink, note breakaway torque!



Fig. 13: Step 4

- 1 SW 46
- 2 SW 22

4. Pull the suspension cable out of the screwed socket, remove the pressure screw, cone sleeve and seal cone from the cable
5. Remove the filter adapter from the capillary line

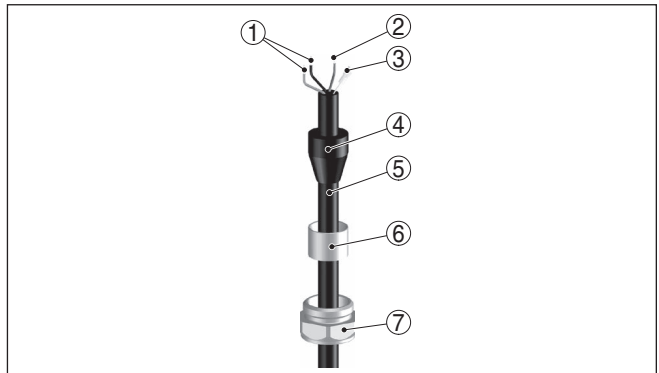


Fig. 14: Configuration of the cable seal

- 1 Connection cable (up to 6 pieces depending on the version)
- 2 Cable screening
- 3 Breather capillaries with filter element
- 4 Seal cone
- 5 Suspension cable
- 6 Cone bushing
- 7 Sealing screw

6. Cut the suspension cable to the requested length with side cutters
7. Remove approx. 10 cm of the cable mantle, strip off approx. 1 cm of the wire ends, insert the filter adapter

8. Shift the seal screw, cone sleeve and seal cone to the suspension cable and insert the cable into the screwed socket, insert the wire ends through the cable entry into the mounting plate

The work steps are finished.

## 6.5 How to proceed if a repair is necessary

You can find an instrument return form as well as detailed information about the procedure in the download area of our homepage. By doing this you help us carry out the repair quickly and without having to call back for needed information.

In case of repair, proceed as follows:

- Print and fill out one form per instrument
- Clean the instrument and pack it damage-proof
- Attach the completed form and, if need be, also a safety data sheet outside on the packaging
- Ask the agency serving you to get the address for the return shipment. You can find the agency on our homepage.

## 7 Dismount

### 7.1 Dismounting steps

**Warning:**

Before dismantling, be aware of dangerous process conditions such as e.g. pressure in the vessel or pipeline, high temperatures, corrosive or toxic media etc.

Take note of chapters "*Mounting*" and "*Connecting to voltage supply*" and carry out the listed steps in reverse order.

### 7.2 Disposal



Pass the instrument on to a specialised recycling company and do not use the municipal collecting points.

Remove any batteries in advance, if they can be removed from the device, and dispose of them separately.

If personal data is stored on the old device to be disposed of, delete it before disposal.

If you have no way to dispose of the old instrument properly, please contact us concerning return and disposal.

## 8 Supplement

### 8.1 Technical data

#### Note for approved instruments

The technical data in the respective safety instructions which are included in delivery are valid for approved instruments (e.g. with Ex approval). These data can differ from the data listed herein, for example regarding the process conditions or the voltage supply.

All approval documents can be downloaded from our homepage.

#### Materials, weights, tensile force

##### Materials, wetted parts

- Transmitter	316L, Duplex steel (1.4462), Duplex steel (1.4462) with PE coating, PVDF, PP natural, Titanium
- Diaphragm	Sapphire ceramic® (99.9 % oxide ceramic)
- Joining material, diaphragm/base element of measuring cell	Glass solder
- Measuring cell seal - single	FKM (VP2/A) - FDA and KTW approved, FFKM (Perlast G75S), FFKM (Kalrez 6375), EPDM (A+P 70.10-02)
- Measuring cell seal - double	FFKM (Perlast G75S)+FKM (V75J), FFKM (Kalrez 6375)+ FFKM (Kalrez 6375), EPDM (A+P 70.10-02) +EPDM (A+P 70.10-02)
- Suspension cable	PE (FDA and KTW-approved), FEP, PUR
- Cable gland on the transmitter	316L
- Cable seal with PE, PUR suspension cable	FKM
- Cable seal with FEP suspension cable	FEP
- Straining clamp	316L
- Screw connection for suspension cable	316L, PVDF
- Threaded connection on the housing	316L

##### Materials, non-wetted parts

- Housing	Plastic PBT (Polyester), 316L
- Type label support on suspension cable	PE hard
- transport protection net	PE

##### Materials, transmitter protection

Transport protective cap, transmitter ø 22 mm	PE
Transport and mounting protection, transmitter ø 32 mm	PA
Transport and mounting protection, transmitter PVDF	PE
transport protection net	PE

**Weight**

- Basic weight approx. 0.8 kg (1.764 lbs)
- Suspension cable approx. 0.1 kg/m (0.07 lbs/m)
- Straining clamp approx. 0.2 kg (0.441 lbs)
- Screw connection for suspension cable approx. 0.4 kg (0.882 lbs)
- Plastic housing approx. 0.8 kg (1.764 lbs)
- Stainless steel housing approx. 1.6 kg (3.528 lbs)

**Tensile force**

- Tensile force suspension cable max. 500 N (112.4045 lbf)

**Input variable****Nominal measuring ranges and overload capability in bar/kPa**

The specifications are only an overview and refer to the measuring cell. Limitations due to the material and version of the process fitting are possible. The specifications on the nameplate apply.

Nominal range	Overload capacity, max. pressure	Overload capacity, min. pressure
Gauge pressure		
0 ... 0.1 bar/0 ... 10 kPa	15 bar/1500 kPa	-0.2 bar/-20 kPa
0 ... 0.2 bar/0 ... 20 kPa	20 bar/2000 kPa	-0.4 bar/-40 kPa
0 ... 0.4 bar/0 ... 40 kPa	30 bar/3000 kPa	-0.8 bar/-80 kPa
0 ... 1 bar/0 ... 100 kPa	35 bar/3500 kPa	-1 bar/-100 kPa
0 ... 2.5 bar/0 ... 250 kPa	50 bar/5000 kPa	-1 bar/-100 kPa
0 ... 5 bar/0 ... 500 kPa	65 bar/6500 kPa	-1 bar/-100 kPa
0 ... 10 bar/0 ... 1000 kPa	90 bar/9000 kPa	-1 bar/-100 kPa
0 ... 25 bar/0 ... 2500 kPa	130 bar/13000 kPa	-1 bar/-100 kPa
Absolute pressure		
0 ... 1 bar/0 ... 100 kPa	35 bar/3500 kPa	0 bar abs.
0 ... 2.5 bar/0 ... 250 kPa	50 bar/5000 kPa	0 bar abs.
0 ... 5 bar/0 ... 500 kPa	65 bar/6500 kPa	0 bar abs.
0 ... 10 bar/0 ... 1000 kPa	90 bar/9000 kPa	0 bar abs.
0 ... 25 bar/0 ... 2500 kPa	130 bar/13000 kPa	0 bar abs.

**Nominal measuring ranges and overload capacity in psi**

The specifications are only an overview and refer to the measuring cell. Limitations due to the material and version of the process fitting are possible. The specifications on the nameplate apply.

Nominal range	Overload capacity, max. pressure	Overload capacity, min. pressure
Gauge pressure		
0 ... 1.5 psig	200 psig	-3 psig
0 ... 3 psig	290 psig	-6 psig

Nominal range	Overload capacity, max. pressure	Overload capacity, min. pressure
0 ... 6 psig	430 psig	-12 psig
0 ... 15 psig	500 psig	-15 psig
0 ... 35 psig	700 psig	-15 psig
0 ... 70 psig	950 psig	-15 psig
0 ... 150 psig	1300 psig	-15 psig
0 ... 350 psig	1900 psig	-15 psig
0 ... 900 psig	2900 psig	-15 psig
Absolute pressure		
0 ... 15 psi	500 psi	0 psi
0 ... 35 psi	700 psi	0 psi
0 ... 70 psi	900 psi	0 psi
0 ... 150 psi	1300 psi	0 psi
0 ... 350 psi	1900 psi	0 psi

### Output variable

Output signal	4 ... 20 mA
Range of the output signal	3.8 ... 20.5 mA
Signal resolution	4 $\mu$ A
Fault signal	22 mA
Max. output current	22 mA
Run-up time	
– with deviation $\leq 0.2$ %	approx. 2 s
– with deviation $\leq 0.1$ %	approx. 15 s
Step response time	
– with deviation $\leq 0.2$ %	approx. $\leq 100$ ms (ti: 0 s, 0 ... 63 %)
– with deviation $\leq 0.1$ %	approx. $\leq 200$ ms (ti: 0 s, 0 ... 63 %)

### Reference conditions and influencing variables (according to DIN EN 60770-1)

Reference conditions according to DIN EN 61298-1	
– Temperature	+15 ... +25 °C (+59 ... +77 °F)
– Relative humidity	45 ... 75 %
– Air pressure	860 ... 1060 mbar/86 ... 106 kPa (12.5 ... 15.4 psig)
Determination of characteristics	Limit point adjustment according to IEC 61298-2
Characteristic curve	Linear
Reference installation position	upright, diaphragm points downward
Influence of the installation position	$< 0.2$ mbar/20 Pa (0.003 psig)

**Deviation determined according to the limit point method according to IEC 60770<sup>4)</sup>**

Specifications refer to the set span. Turn down (TD) = nominal measuring range/set span.

Deviation with version < 0.2 %

- Turn down 1 : 1 up to 5 : 1 < 0.2 %
- Turn down up to 10 : 1 < 0.04 % x TD

Deviation with version < 0.1 %

- Turn down 1 : 1 up to 5 : 1 < 0.1 %
- Turn down up to 10 : 1 < 0.02 % x TD

**Influence of the medium or ambient temperature**

Specifications refer to the set span. Turn down (TD) = nominal measuring range/set span.

**Average temperature coefficient of the zero signal**

In the compensated temperature range of 0 ... +80 °C (+32 ... +176 °F), reference temperature 20 °C (68 °F).

Average temperature coefficient of the zero signal upon execution < 0.2 %

- Turn down 1 : 1 < 0.15 %/10 K
- Turn down up to 5 : 1 < 0.2 %/10 K
- Turn down up to 10 : 1 < 0.25 %/10 K

Average temperature coefficient of the zero signal upon execution < 0.1 %

- Turn down 1 : 1 < 0.05 %/10 K
- Turn down up to 5 : 1 < 0.1 %/10 K
- Turn down up to 10 : 1 < 0.15 %/10 K

Outside the compensated temperature range:

Average temperature coefficient of the zero signal

- Turn down 1 : 1 typ. < 0.15 %/10 K

**Thermal change, current output**

Applies also to the **analogue 4** ... 20 mA current output and refers to the set span.

Thermal change, current output < 0.15 % at -40 ... +80 °C (-40 ... +176 °F)

**Long-term stability (according to DIN 16086)**

Applies to the respective **digital** signal output (e.g. HART, Profibus PA) as well as to **analogue** current output 4 ... 20 mA under reference conditions. Specifications refer to the set span. Turn down (TD) is the ratio nominal measuring range/set span.

**Long-term stability zero signal and output span**

Time period	Measuring cell ø 28 mm		Measuring cell ø 17.5 mm
	Measuring ranges from 0 ... +0.1 bar (0 ... +10 kPa)	Measuring range 0 ... +0.025 bar (0 ... +2.5 kPa)	
One year	< 0.05 % x TD	< 0.1 % x TD	< 0.1 % x TD
Five years	< 0.1 % x TD	< 0.2 % x TD	< 0.2 % x TD

<sup>4)</sup> Incl. non-linearity, hysteresis and non-repeatability.

Time period	Measuring cell ø 28 mm		Measuring cell ø 17.5 mm
	Measuring ranges from 0 ... +0.1 bar (0 ... +10 kPa)	Measuring range 0 ... +0.025 bar (0 ... +2.5 kPa)	
Ten years	< 0.15 % x TD	< 0.4 % x TD	< 0.4 % x TD

**Total deviation (acc. to DIN 16086)**

The total deviation  $F_t$ , also called practical deviation, is the sum of the basic accuracy  $F_p$  and long-term stability:

$$F_t = F_p + F_s$$

$$F_{perf} = \sqrt{(F_T)^2 + (F_{KI})^2}$$

With

- $F_t$ :  $F_{total}$ , total deviation
- $F_p$ :  $F_{perf}$ , basic accuracy
- $F_s$ :  $F_{stab}$ , long-term drift
- $F_T$ : Temperature coefficient (influence of medium or ambient temperature)
- $F_{KI}$ : Deviation

**Ambient conditions**

Ambient temperature

- Suspension cable PE -40 ... +60 °C (-40 ... +140 °F)
- Suspension cable PUR, FEP -40 ... +80 °C (-40 ... +176 °F)

Storage and transport temperature -40 ... +80 °C (-40 ... +176 °F)

**Process conditions**

Max. process pressure, transmitter

- Measuring range 0.1 bar (1.45 psig) 15 bar (218 psig)<sup>5)</sup>
- Measuring range 0.2 bar (2.9 psig) 20 bar (290 psig)<sup>6)</sup>
- Measuring ranges from 0.4 bar (5.8 psig) 30 bar (435 psig)<sup>7)</sup>

Pressure stage, process fitting

- Screw connection for suspension cable 316L: PN 3, PVDF: unpressurized
- Thread on the housing PN 3

Product temperature, depending on the version

<sup>5)</sup> Limited by the overload capability max. pressure of the measuring cell.

<sup>6)</sup> Limited by the overload capability max. pressure of the measuring cell.

<sup>7)</sup> Limitation by cable entry

Suspension cable	Transmitter	Product temperature
PE	All versions	-20 ... +60 °C (-4 ... +140 °F)
PUR	All versions	-20 ... +80 °C (-4 ... +176 °F)
	PE coating	-20 ... +60 °C (-4 ... +140 °F)
FEP	All versions	-20 ... +80 °C (-4 ... +176 °F)
	PE coating	-20 ... +60 °C (-4 ... +140 °F)

Vibration resistance	mechanical vibrations with 4 g and 5 ... 100 Hz <sup>9)</sup>
Shock resistance, version G1	50 g, 2.3 ms according to EN 60068-2-27 (mechanical shock)

### Electromechanical data

#### Suspension cable

– Configuration	two wires, one suspension wire, one breather capillary, screen braiding, foil, mantle
– Wire cross-section	0.5 mm <sup>2</sup>
– Wire resistance	≤ 0.036 Ω/m
– Max. tensile force	1200 N (269.8 lbf)
– Max. length	500 m (1640 ft)
– Min. bending radius	25 mm (0.984 in) with 25 °C (77 °F)
– Diameter	approx. 8 mm (0.315 in)
– Cable extraction force transmitter	≥ 650 N (146.1 lbf)
– colour (non-Ex/Ex) - PE, PUR	black/blue
– colour (non-Ex/Ex) - FEP	blue/blue
Cable entry housing	1 x M20 x 1.5 cable gland (cable: ø 5 ... 9 mm), 1 x M20 x 1.5-blind plug
Screw terminals for cable cross-section up to	1.5 mm <sup>2</sup> (AWG 16)

### Voltage supply

Operating voltage U <sub>B</sub>	
– Non-Ex instrument, deviation < 0.2 %	8 ... 35 V DC
– Non-Ex instrument, deviation < 0.1 %	9.6 ... 35 V DC
– Ex-ia instrument	9.6 ... 30 V DC
Permissible residual ripple	
– < 100 Hz	U <sub>ss</sub> < 1 V
– 100 Hz ... 10 kHz	U <sub>ss</sub> < 10 mV
Reverse voltage protection	Available

<sup>9)</sup> Tested according to the guidelines of German Lloyd, GL directive 2.

Load resistor

- Calculation  $(U_B - U_{min})/0.022 \text{ A}$
- Example - Non-Ex instrument with  $(24 \text{ V} - 9.6 \text{ V})/0.022 \text{ A} = 655 \Omega$   
 $U_B = 24 \text{ V DC}$

---

**Integrated overvoltage protection**

---

- Discharge current (8/20  $\mu\text{s}$ ) 5 kA
- Min. response time < 25 ns

---

**Potential connections in the instrument**

---

- Electronics Non-floating
- Galvanic connection between Transmitter, shielding of the suspension cable as well as metallic process fitting and ground terminal on the housing

---

**Electrical protective measures**

---

- Protection rating
  - Transmitter IP68 (30 bar)
  - Housing IP66/IP67
- Connection of the feeding power supply unit Networks of overvoltage category III
- Altitude above sea level
  - by default up to 2000 m (6562 ft)
  - with connected overvoltage protection up to 5000 m (16404 ft)
- Pollution degree<sup>9)</sup> 4
- Protection class III

<sup>9)</sup> When used with fulfilled protection.

## 8.2 Dimensions

### VEGAWELL 52, 316L/Titanium 22 mm

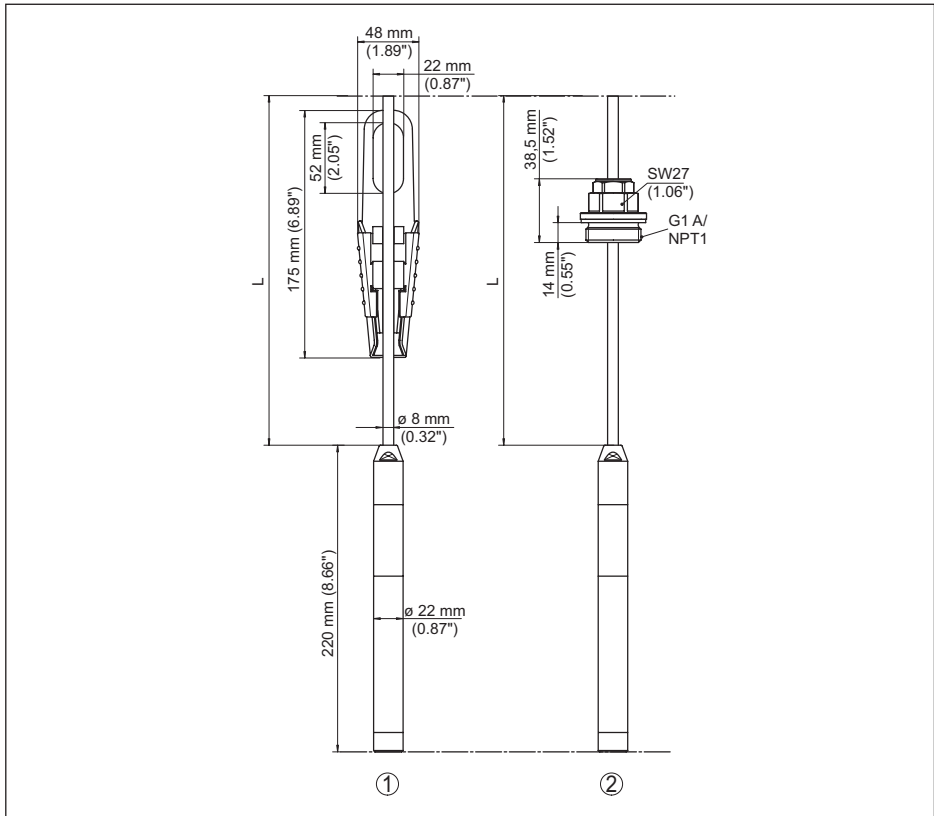


Fig. 15: VEGAWELL 52, with transmitter 316L/Titanium 22 mm

- 1 Transmitter with straining clamp
- 2 Transmitter with screw connection for suspension cable
- L Total length from configurator

VEGAWELL 52, Titanium 33 mm

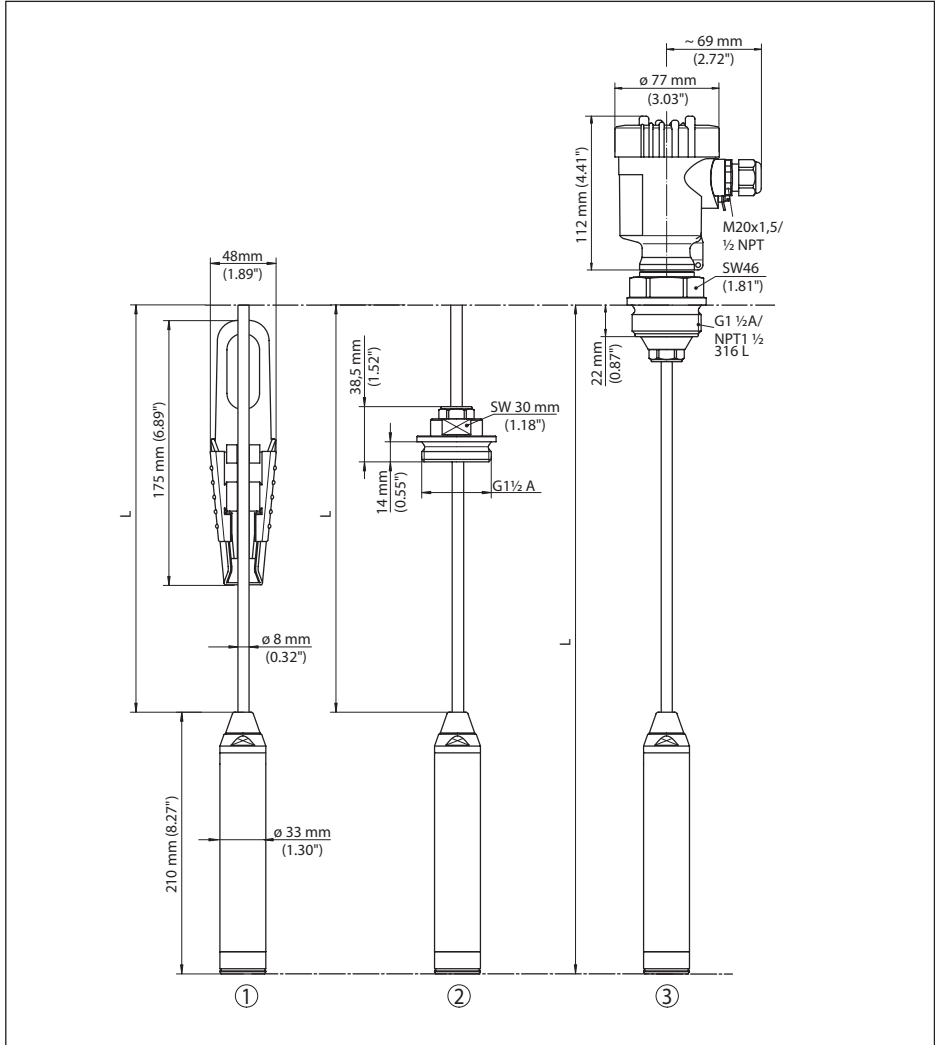


Fig. 16: VEGAWELL 52, with transmitter 316L/Titanium 33 mm

- 1 Transmitter of titanium with straining clamp
- 2 Transmitter of titanium with screw connection for suspension cable
- 3 Transmitter of titanium with thread and plastic housing
- L Total length from configurator

## VEGAWELL 52, Duplex steel (1.4462)/PVDF

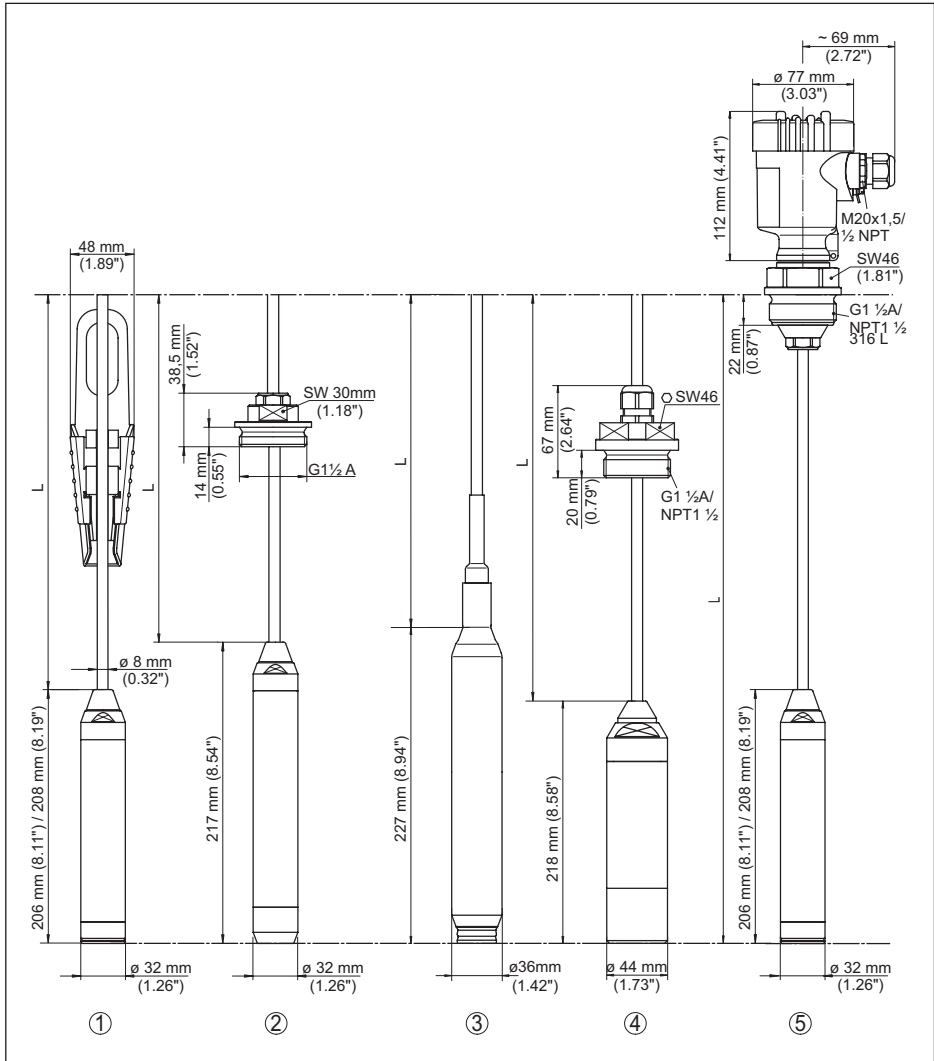


Fig. 17: VEGAWELL 52, with transmitter Duplex steel (1.4462)/PVDF

- 1 Transmitter Duplex steel (1.4462) standard/double seal with straining clamp
  - 2 Transmitter Duplex steel (1.4462) for deep wells (end cap) with screw connection for suspension cable
  - 3 Transmitter Duplex steel (1.4462) with PE coating
  - 4 Transmitter with screw connection for suspension cable of PVDF
  - 5 Transmitter Duplex steel (1.4462) standard/double seal with thread and plastic housing
- L Total length from configurator

**VEGAWELL 52, Duplex steel (1.4462) threaded fitting**

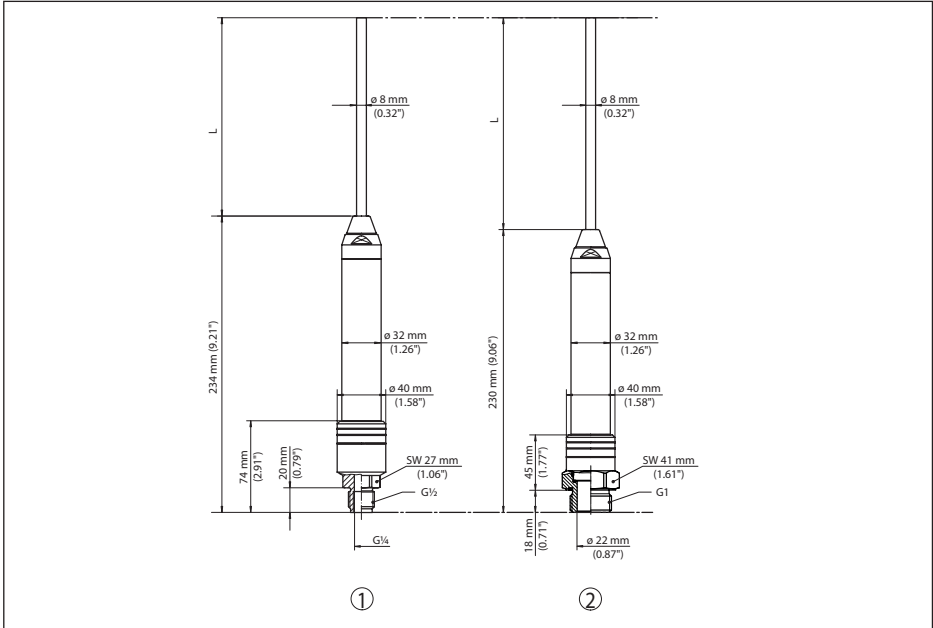


Fig. 18: VEGAWELL 52, with threaded fitting and transmitter Duplex steel (1.4462)

- 1 Threaded fitting G $\frac{1}{2}$  inner G $\frac{1}{4}$
- 2 Threaded fitting G1
- L Total length from configurator

### 8.3 Industrial property rights

VEGA product lines are global protected by industrial property rights. Further information see [www.vega.com](http://www.vega.com).

Only in U.S.A.: Further information see patent label at the sensor housing.

VEGA Produktfamilien sind weltweit geschützt durch gewerbliche Schutzrechte.

Nähere Informationen unter [www.vega.com](http://www.vega.com).

Les lignes de produits VEGA sont globalement protégées par des droits de propriété intellectuelle. Pour plus d'informations, on pourra se référer au site [www.vega.com](http://www.vega.com).

VEGA líneas de productos están protegidas por los derechos en el campo de la propiedad industrial. Para mayor información revise la pagina web [www.vega.com](http://www.vega.com).

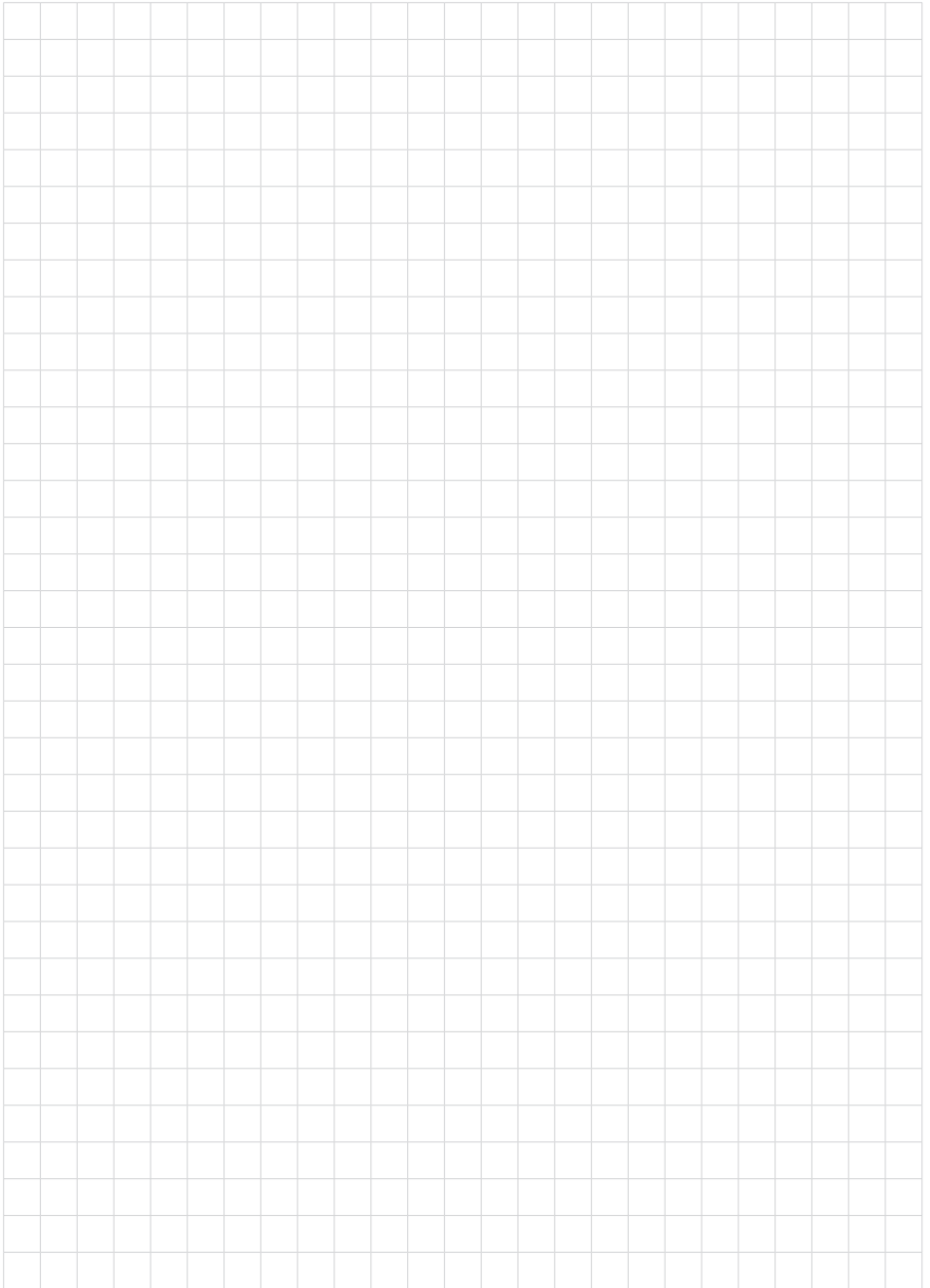
Линии продукции фирмы ВЕГА защищаются по всему миру правами на интеллектуальную собственность. Дальнейшую информацию смотрите на сайте [www.vega.com](http://www.vega.com).

VEGA系列产品在全球享有知识产权保护。

进一步信息请参见网站[www.vega.com](http://www.vega.com)。

### 8.4 Trademark

All the brands as well as trade and company names used are property of their lawful proprietor/originator.



Printing date:

**VEGA**

All statements concerning scope of delivery, application, practical use and operating conditions of the sensors and processing systems correspond to the information available at the time of printing.

Subject to change without prior notice

© VEGA Grieshaber KG, Schiltach/Germany 2025

35401-EN-250415

VEGA Grieshaber KG  
Am Hohenstein 113  
77761 Schiltach  
Germany

Phone +49 7836 50-0  
E-mail: [info.de@vega.com](mailto:info.de@vega.com)  
[www.vega.com](http://www.vega.com)